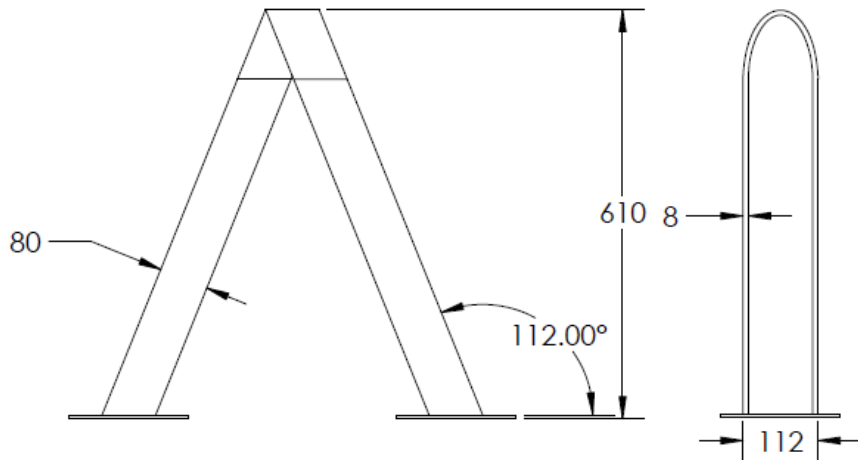
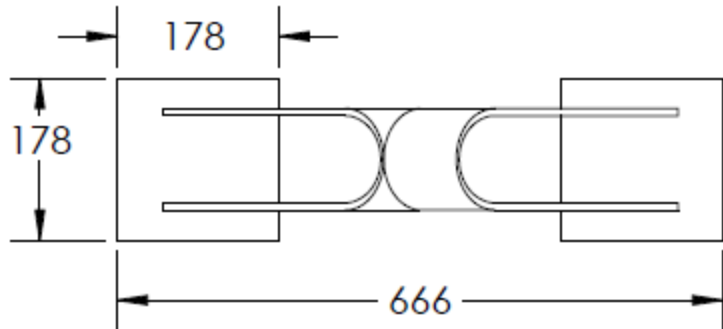


TECHNICAL DRAWING REFERENCE



MATERIAL SPECIFICATIONS

#304 stainless steel construction, #304 Stainless steel hardware.

RAL Standard Colours: 

**Final product design may not be exactly as shown.

