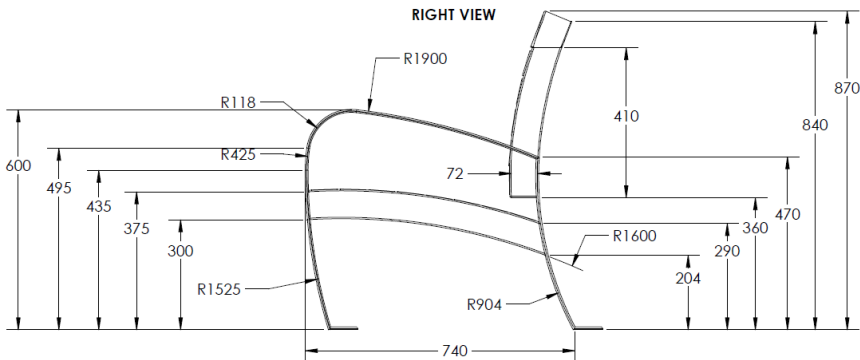
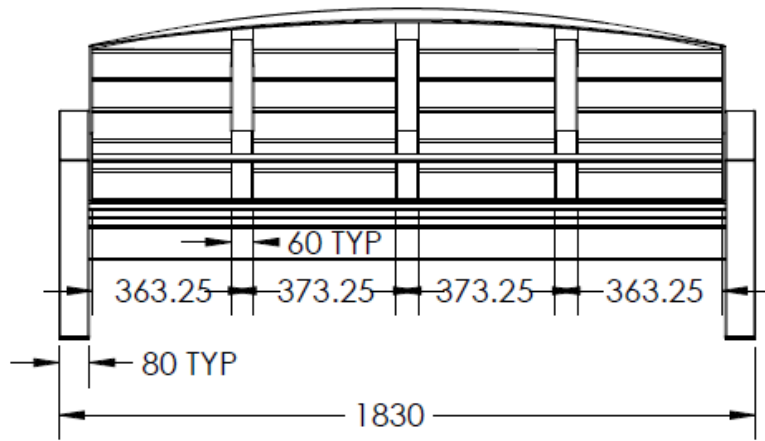


TECHNICAL DRAWING REFERENCE



MATERIAL SPECIFICATIONS

#304 Stainless steel construction, Recycled plastic wood seat planks,
 #304 Stainless steel hardware.

RAL Standard Colours: 

**Final product design may not be exactly as shown.

