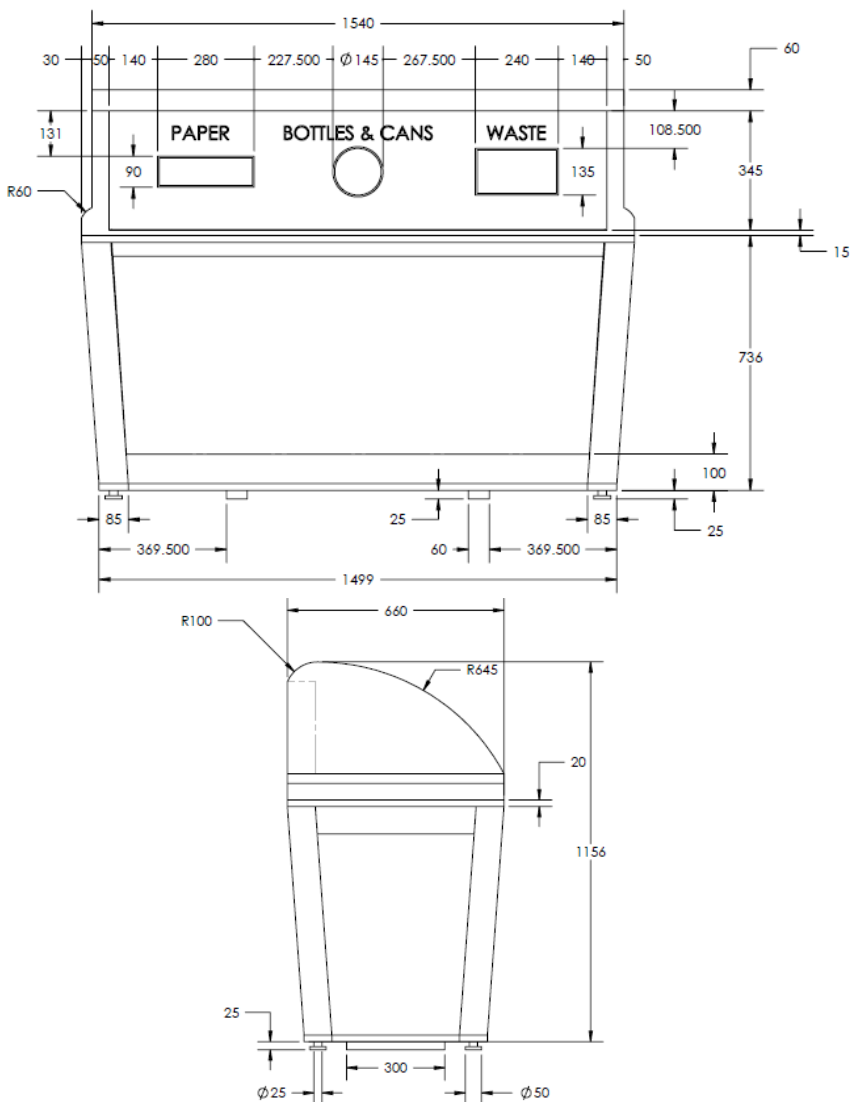


TECHNICAL DRAWING REFERENCE



MATERIAL SPECIFICATIONS

#304 Stainless steel construction, Galvanized inside liners, Front opening liner removal, Locking mechanism.

RAL Standard Colours: 

\*\*Final product design may not be exactly as shown.

