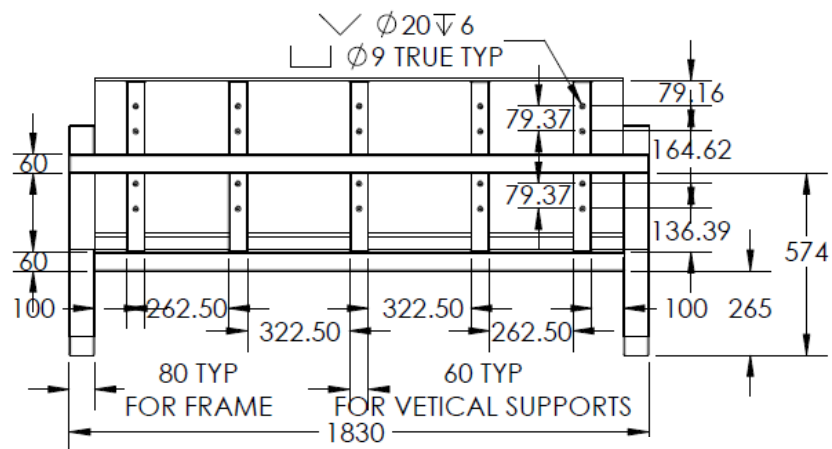
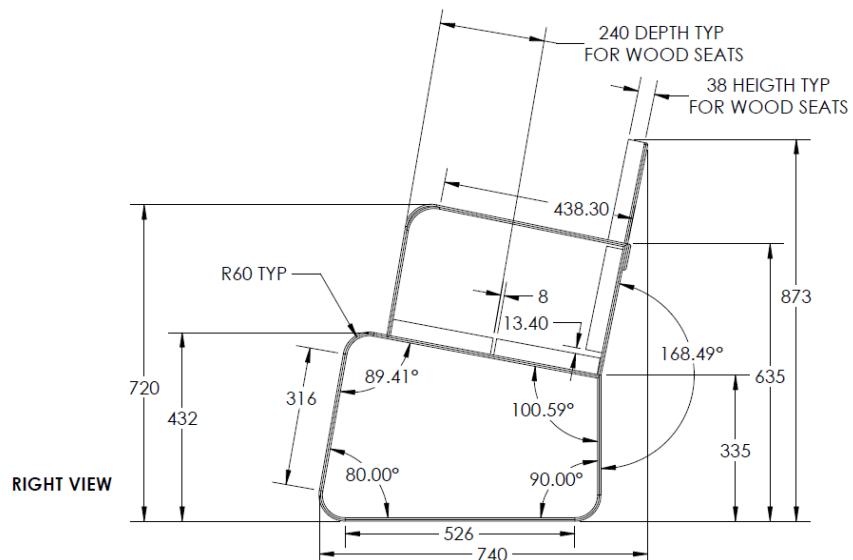


TECHNICAL DRAWING REFERENCE



BACK VIEW



RIGHT VIEW

MATERIAL SPECIFICATIONS

#304 Stainless steel construction, Hardwood seat planks, #304 Stainless steel hardware.



RAL Standard Colours: 

\*\*Final product design may not be exactly as shown.

