

CARBON STEEL CONSTRUCTION, STAINLESS STEEL

DIAMETER: 102mm

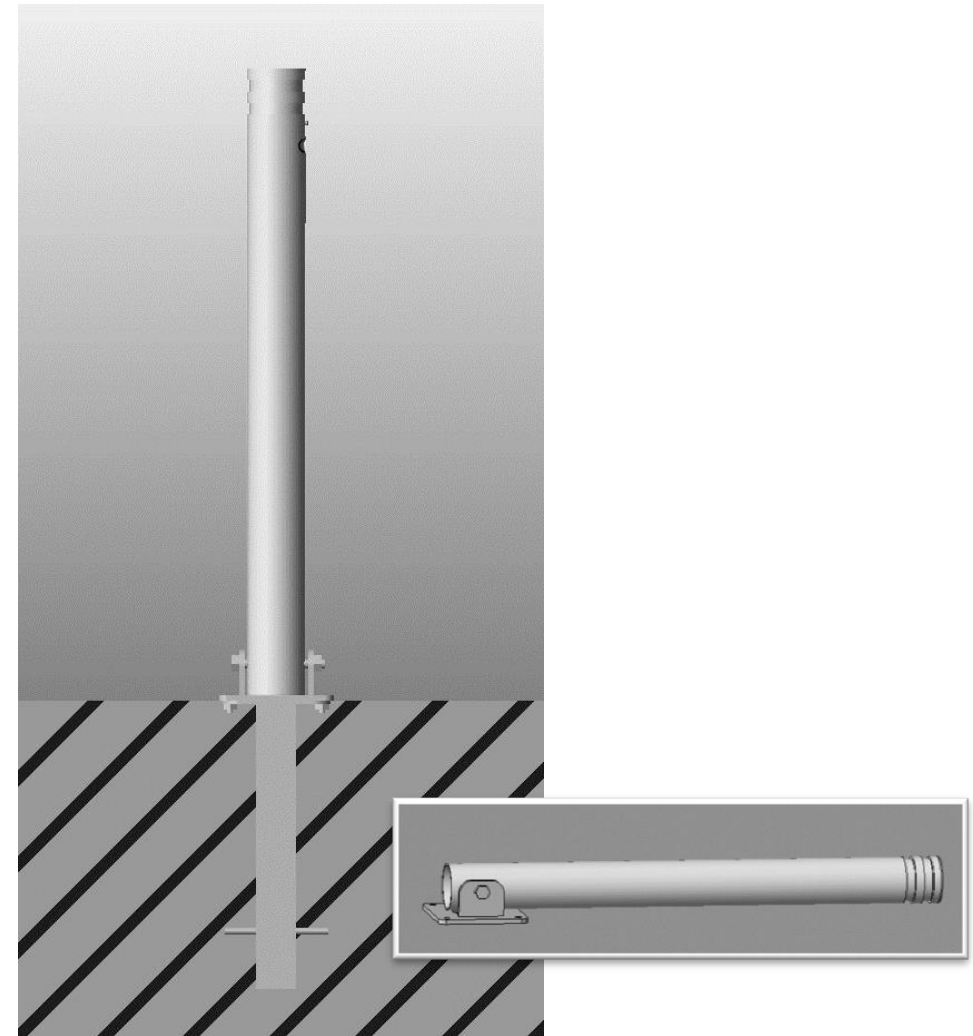
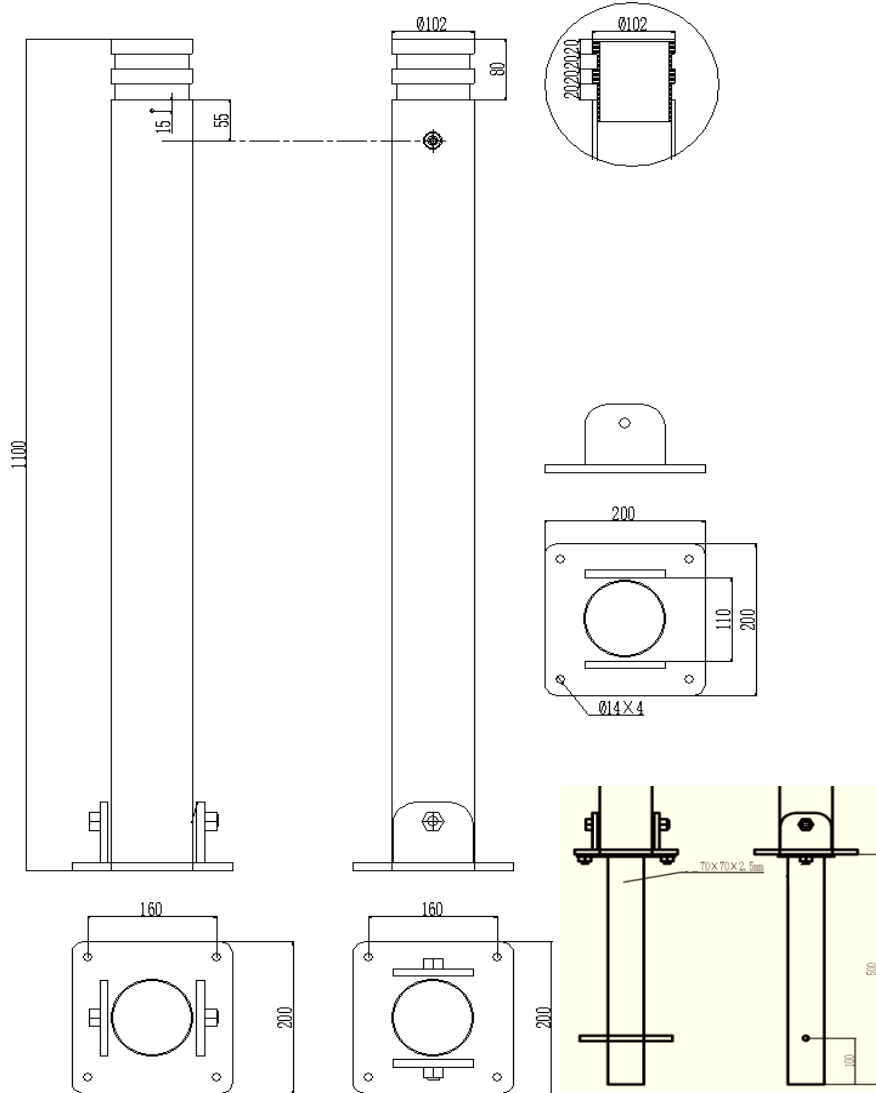
THICKNESS: 3mm

HEIGHT: 1100mm

MOUNTING: Embedded Pipe

FINISH: Polyester Powder Coating

TECHNICAL DRAWING REFERENCE



MATERIAL SPECIFICATIONS

Carbon steel construction, Stainless steel surface flange, Embedded carbon steel pipe, locking key mechanism, Polyester powder coated.

RAL Standard Colours: 

**Final product design may not be exactly as shown.

