



POLAR SITE FURNISHINGS
 12-111 Fourth Ave. Unit 120
 St. Catharines, ON, Canada
 L2S3P5
 Ph: 905-397-5353
 Email: pnolan@polarsf.com
 URL: www.sitefurnishings.net

DC15.34 BIKE RACK

TECHNICAL DATASHEET

CARBON STEEL CONSTRUCTION

LENGTH: 2338mm

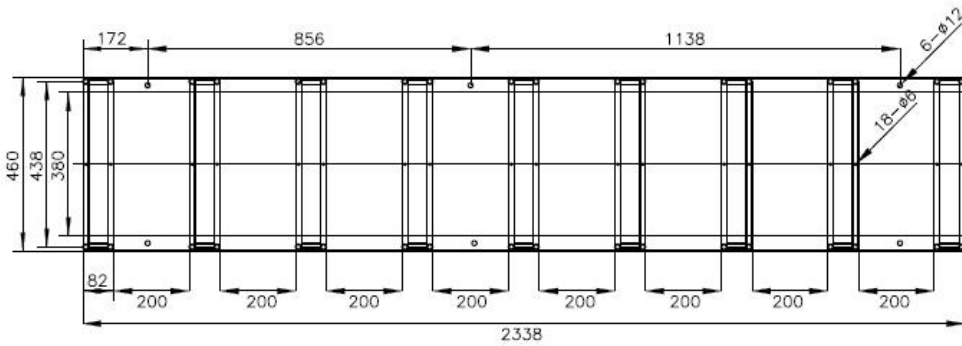
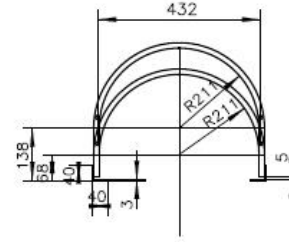
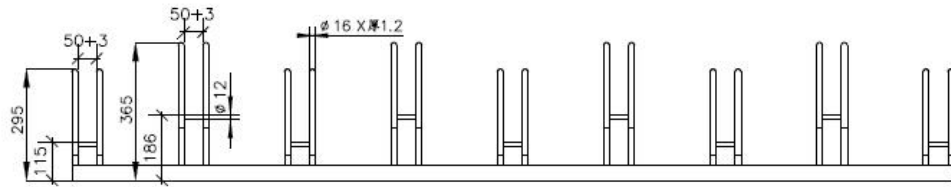
WIDTH: 460mm

HEIGHT: 295mm / 365mm

MOUNTING: Surface bolt down

FINISH: Dacromet Coating

TECHNICAL DRAWING REFERENCE



Φ 16mm pipe



MATERIAL SPECIFICATIONS

Carbon steel construction, Dacromet finish, 304 stainless steel anchoring hardware.

RAL Standard Colours:

**Final product design may not be exactly as shown.

