



POLAR SITE FURNISHINGS  
 12-111 Fourth Ave. Unit 120  
 St. Catharines, ON, Canada  
 L2S3P5  
 Ph: 905-397-5353  
 Email: pnolan@polarsf.com  
 URL: www.sitefurnishings.net

### DC15.33 BIKE RACK

### TECHNICAL DATASHEET

CARBON STEEL CONSTRUCTION

LENGTH: 1290mm

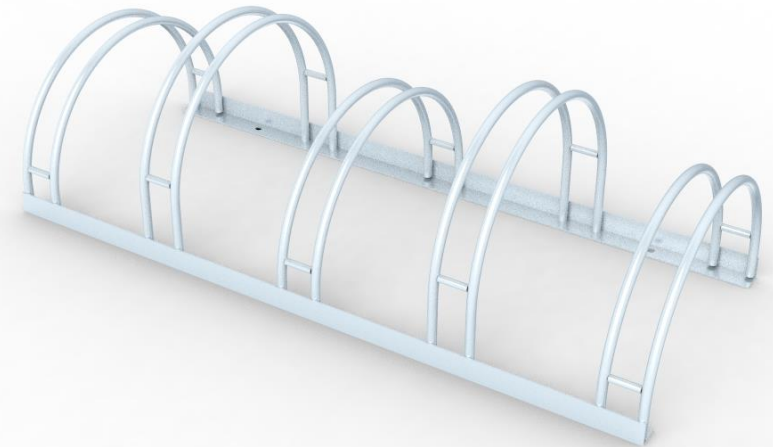
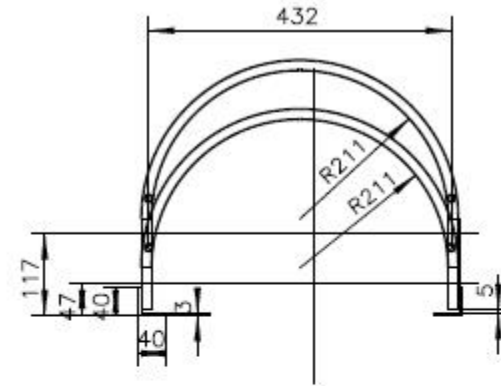
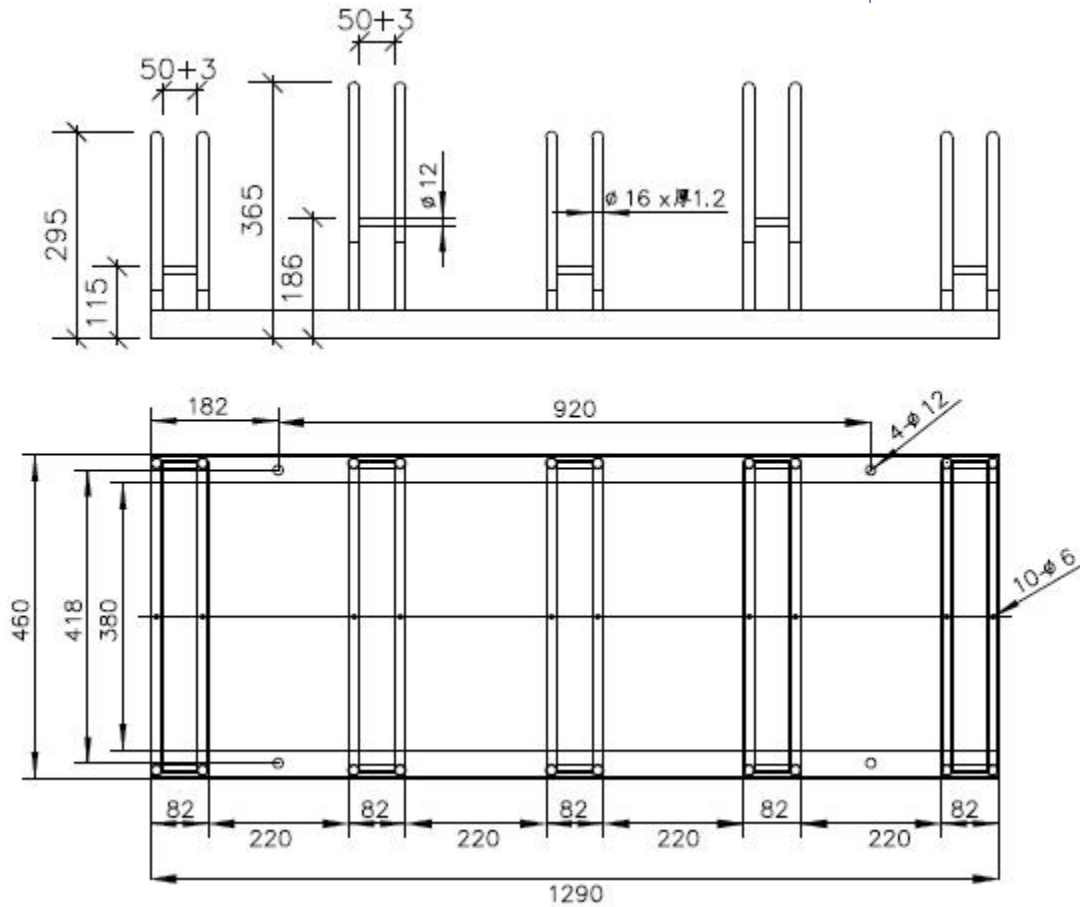
WIDTH: 460mm

HEIGHT: 295 / 395mm

MOUNTING: Surface bolt down

FINISH: Dacromet Coating

#### TECHNICAL DRAWING REFERENCE



#### MATERIAL SPECIFICATIONS

Carbon steel construction, Dacromet finish, 304 stainless steel anchoring hardware.

RAL Standard Colours: ● ● ● ● ● ● ● ● ● ●

\*\*Final product design may not be exactly as shown.

