

STAINLESS STEEL CONSTRUCTION, RECYCLED PLASTIC WOOD PLANKS

LENGTH: 410mm

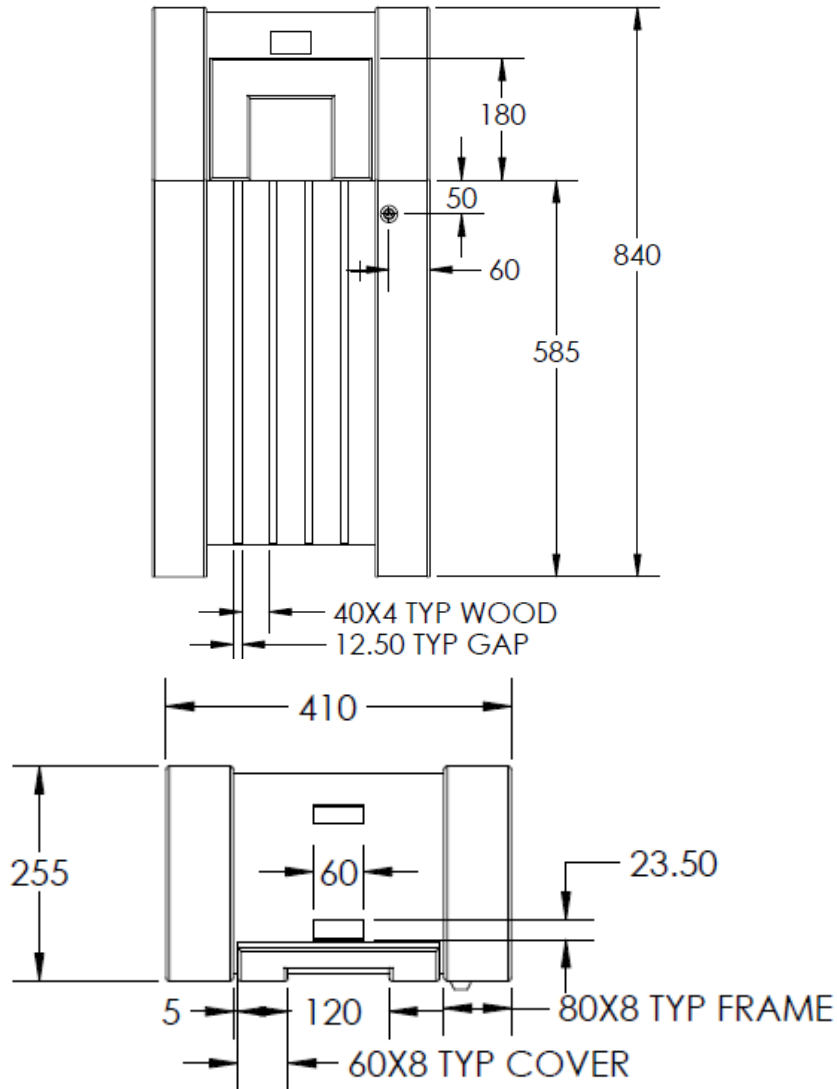
WIDTH: 255mm

HEIGHT: 840mm

MOUNTING: Surface Anchor Bolts

FINISH: Stainless Steel

TECHNICAL DRAWING REFERENCE



MATERIAL SPECIFICATIONS

Stainless steel, Recycled plastic wood planks, galvanized steel inside liner, Locking mechanism, #304 Stainless steel hardware.

RAL Standard Colours: 

**Final product design may not be exactly as shown.

