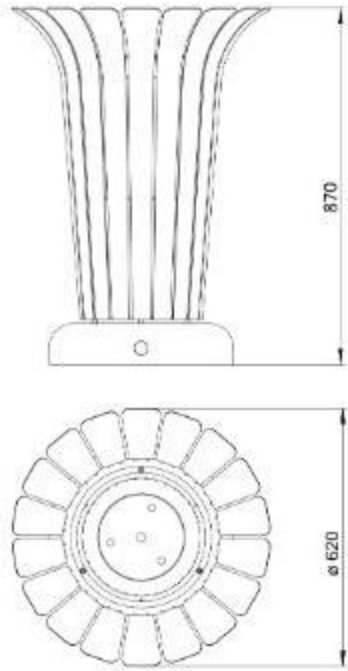




POLAR SITE FURNISHINGS
 12-111 Fourth Ave. Unit 120
 St. Catharines, ON,
 Canada L2S3P5
 Ph: 905-397-5353
 E: pnolan@sitefurnishings.net
 URL: www.sitefurnishings.net

FLORAL RECEPTACLE	SPECIFICATION DATASHEET	
PRE-CAST CONCRETE. MILD STEEL		
DIAMETER: 24.4" (62 cm)	HEIGHT: 34.25" (87 cm)	
MOUNTING: Free Standing	FINISH: Natural Stone / Powder Coating	
CAPACITY: 8 gal. (30 litres)	WEIGHT: 92.6 lbs. (85 kgs)	



MATERIAL SPECIFICATIONS

Pre-cast steel re-enforced concrete, Powder coated mild steel,
 Galvanized inside liner.

Standard Pre-cast Colours: Brown, Grey, White, Speckled

RAL Standard Colours: ● ● ● ● ● ● ● ● ● ●

*Final design may not be exactly as shown.