

PRODUCT DATASHEET

PRODUCT DESCRIPTION:

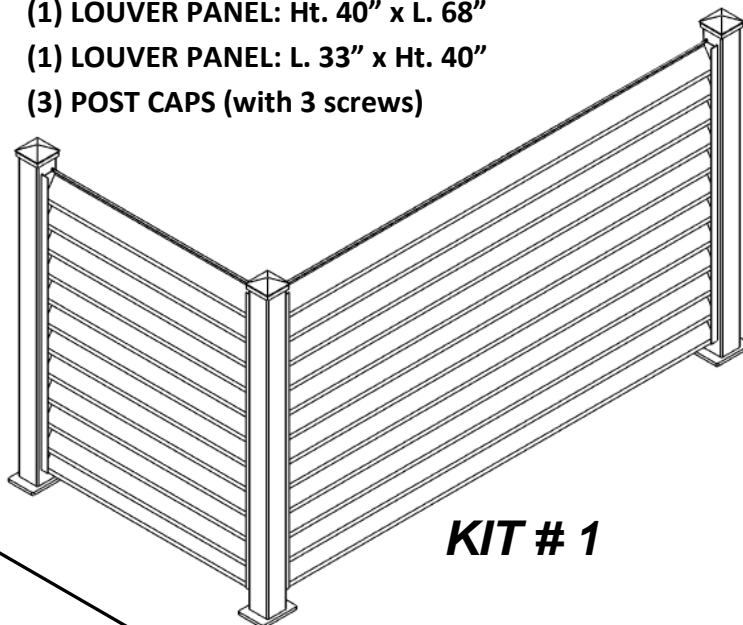
Aluminum DIY Garbage Enclosure Kits

1. Pre-assembled panels w/ pre-punched screw holes.
2. Modern louvered design suitable for both outdoor and indoor installations.
3. Available in black, grey, dark grey and brown colors
4. Easy assembly & installation
5. Surface anchor bolt mounting
6. Extra panels can easily be added to extend / expand the enclosures based on the customer's preferred space requirements.
7. Made to last a lifetime.

Width: 37" x Length: 72"
Height (post with cap): 44"

PART LIST FOR KIT # 1:

- (3) 2"x 2" POSTS WITH FLANGE BASE Ht. 42"
- (1) LOUVER PANEL: Ht. 40" x L. 68"
- (1) LOUVER PANEL: L. 33" x Ht. 40"
- (3) POST CAPS (with 3 screws)



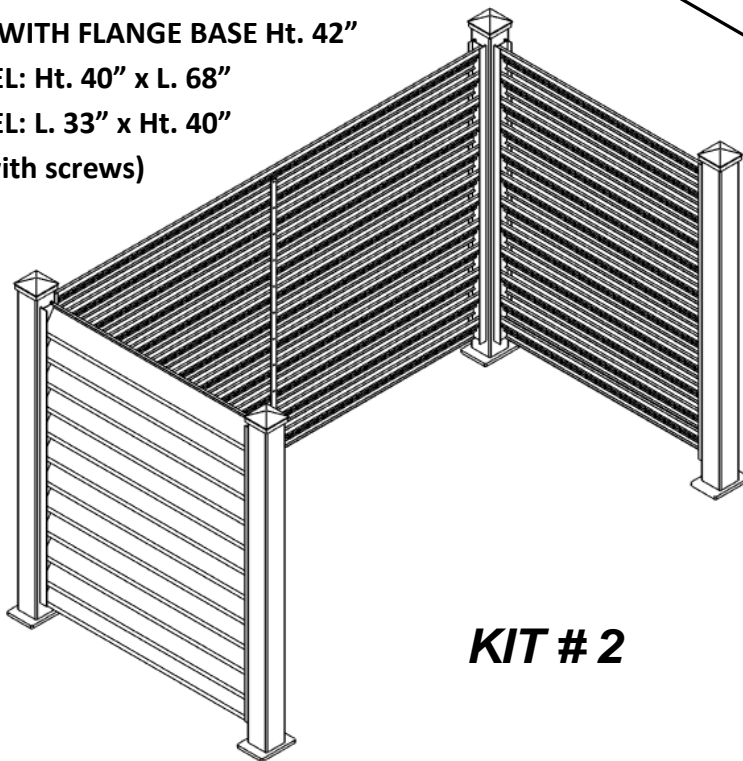
KIT # 1

FITS WHEELED BINS

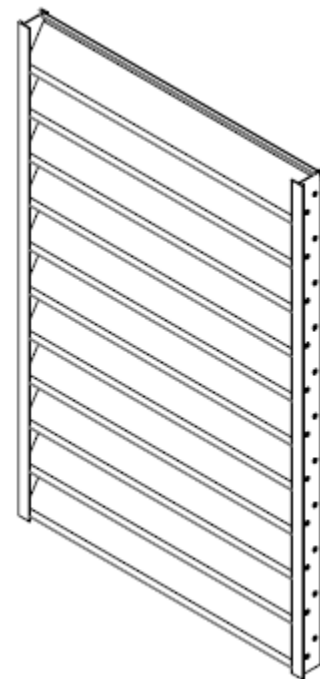
Width: 37" x Length: 72" x Width: 37"
Height (post with cap): 44"

PART LIST FOR KIT # 2:

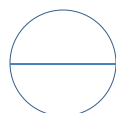
- (4) 2"x 2" POSTS WITH FLANGE BASE Ht. 42"
- (1) LOUVER PANEL: Ht. 40" x L. 68"
- (2) LOUVER PANEL: L. 33" x Ht. 40"
- (4) POST CAPS (with screws)



KIT # 2



**LOUVERED PANEL
DETAIL**



POLAR DIY GARBAGE ENCLOSURE (2" x 2" POSTS)

NOT TO SCALE



POLAR SITE FURNISHINGS
12-111 Fourth Ave. Unit 120
St. Catharines, ON, Canada
L2S3P5
Ph: 905-397-5353
Email: pnolan@polarsf.com
URL: www.sitefurnishings.net

All logos, photos, text and images (c) 2022 POLAR SITE FURNISHINGS unless otherwise stated. The content of this product information may not be made available, whole or in part, in any format, without the permission of POLAR SITE FURNISHINGS.