



POLAR SITE FURNISHINGS  
 12-111 Fourth Ave. Unit 120  
 St. Catharines, ON, Canada  
 L2S3P5  
 Ph: 905-397-5353  
 Email: pnolan@polarsf.com  
 URL: www.sitefurnishings.net

**DC5.89 AD BENCH**

**TECHNICAL DATASHEET**

CARBON STEEL CONSTRUCTION, STEEL FLAT BAR, PLEXIGLAS

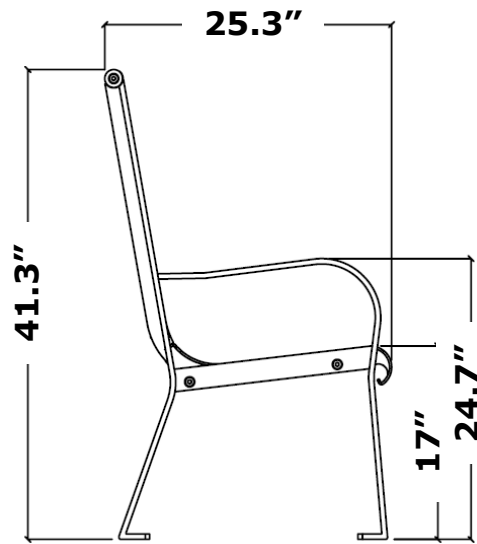
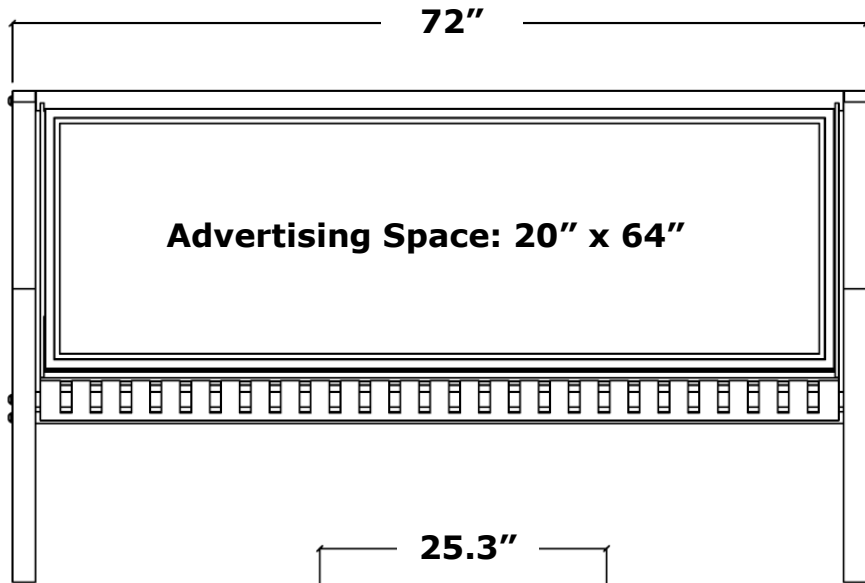
LENGTH: 72"

WIDTH: 25.3"

HEIGHT: 41.3"

MOUNTING: Surface Anchor Bolts

FINISH: Polyester Powder Coating



**MATERIAL SPECIFICATIONS**

Carbon steel construction, Steel flat bar, Plexiglas sign board, Polyester powder coated, #304 Stainless steel hardware.

RAL Standard Colours:

\*\*Final product design may not be exactly as shown.

