



POLAR SITE FURNISHINGS
 12-111 Fourth Ave. Unit 120
 St. Catharines, ON, Canada
 L2S3P5
 Ph: 905-397-5353
 Email: pnolan@polarsf.com
 URL: www.sitefurnishings.net

DC5.26A BENCH

TECHNICAL DATASHEET

CARBON STEEL CONSTRUCTION

LENGTH: 72"

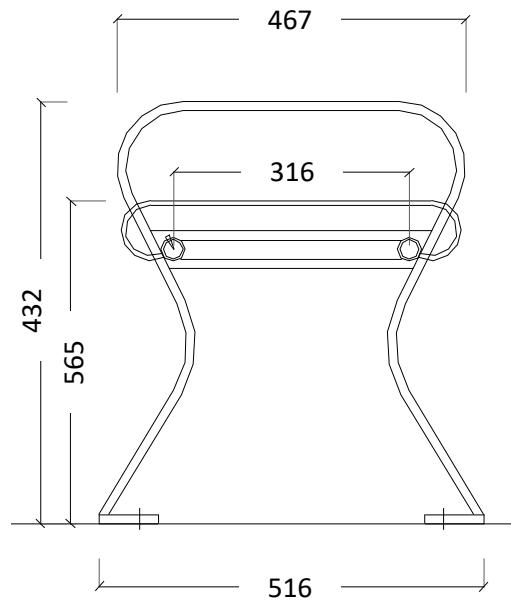
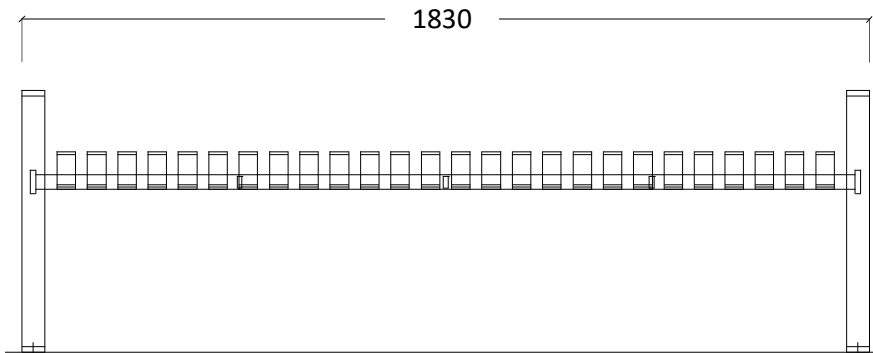
WIDTH: 20.3"

HEIGHT: 17"

MOUNTING: Surface Anchor Bolts

FINISH: Polyester Powder Coating

TECHNICAL DRAWING REFERENCE



MATERIAL SPECIFICATIONS

Carbon steel construction, Polyester powder coated, #304 Stainless steel hardware.

RAL Standard Colours:

**Final product design may not be exactly as shown.

