



POLAR SITE FURNISHINGS  
 12-111 Fourth Ave. Unit 120  
 St. Catharines, ON,  
 Canada L2S3P5  
 Ph: 905-397-5353  
 E: pnolan@sitefurnishings.net  
 URL: www.sitefurnishings.net

**DC5.116 BACKLESS BENCH**

**TECHNICAL DATASHEET**

CARBON STEEL CONSTRUCTION

LENGTH: 6' (183cm)

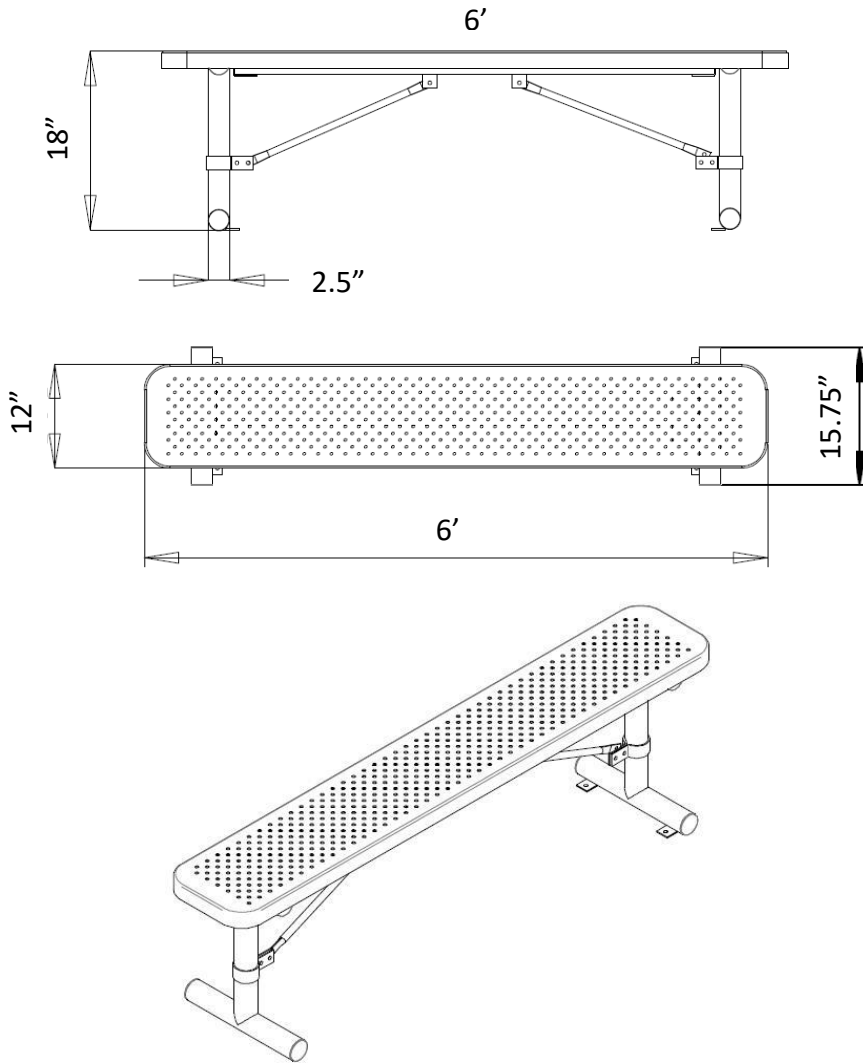
SEAT WIDTH: 12" (30cm)

HEIGHT: 18" (45.7cm)

MOUNTING: Surface Anchor Bolts

FINISH: Polyester Powder Coating

TECHNICAL DRAWING REFERENCE



MATERIAL SPECIFICATIONS

Carbon steel construction, Perforated Seat, Polyester powder coated,  
 #304 Stainless steel hardware.

RAL Standard Colours:

\*\*Final product design may not be exactly as shown.

