



POLAR SITE FURNISHINGS
 12-111 Fourth Ave. Unit 120
 St. Catharines, ON, Canada
 L2S3P5
 Ph: 905-397-5353
 Email: pnolan@polarsf.com
 URL: www.sitefurnishings.net

DC15.325 POST & RING BIKE RACK

TECHNICAL DATASHEET

CARBON STEEL CONSTRUCTION

PIPE DIA. (center): 4.5"

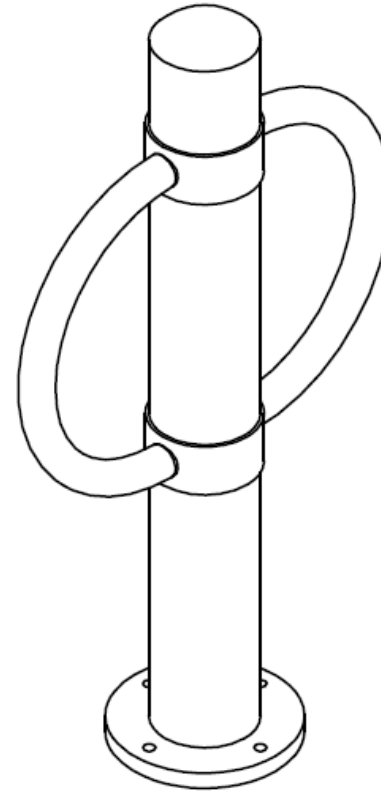
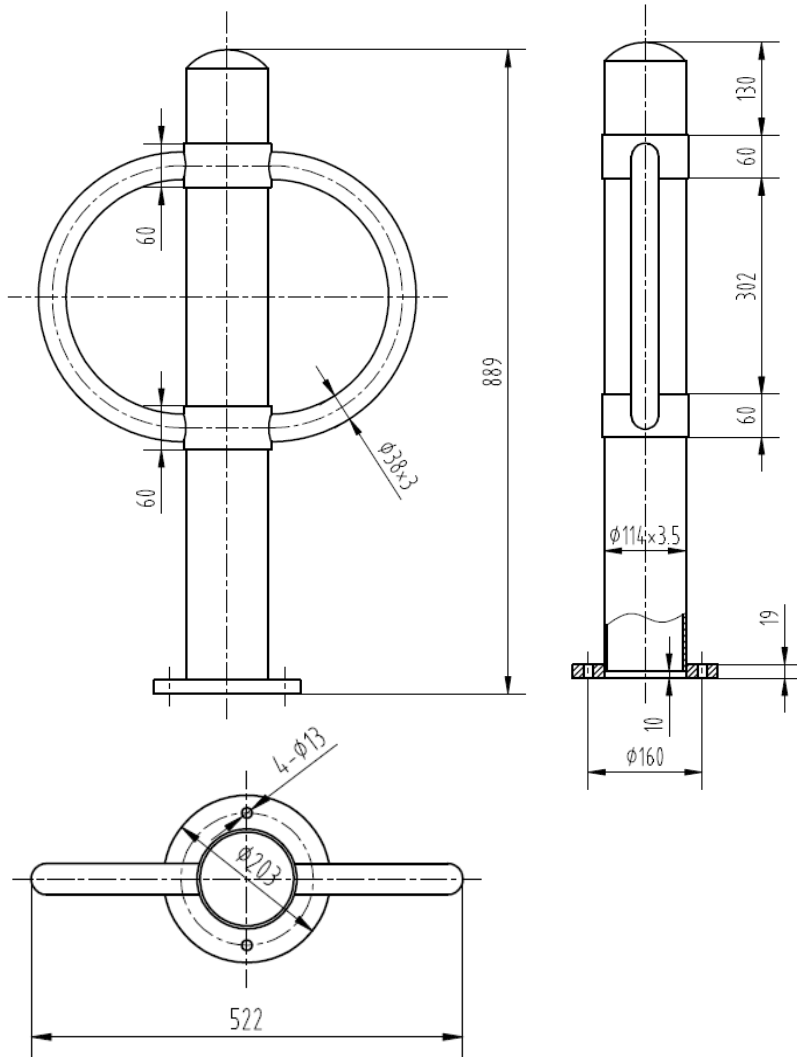
WIDTH: 20.5"

HEIGHT (Above ground): 35"

MOUNTING: Embedded

FINISH: E- Coating | Powder Coating

TECHNICAL DRAWING REFERENCE



MATERIAL SPECIFICATIONS

Carbon steel construction, E-coating | Polyester powder coating finish,
 304 stainless steel anchoring hardware.

RAL Standard Colours:

**Final product design may not be exactly as shown.

