



POLAR SITE FURNISHINGS
 12-111 Fourth Ave. Unit 120
 St. Catharines, ON, Canada
 L2S3P5
 Ph: 905-397-5353
 Email: pnolan@polarsf.com
 URL: www.sitefurnishings.net

CIVIC CANINE RECEPTACLE

TECHNICAL DATASHEET

STAINLESS STEEL CONSTRUCTION, RECYCLED PLASTIC WOOD PLANKS

LENGTH: 16.1" (410mm)

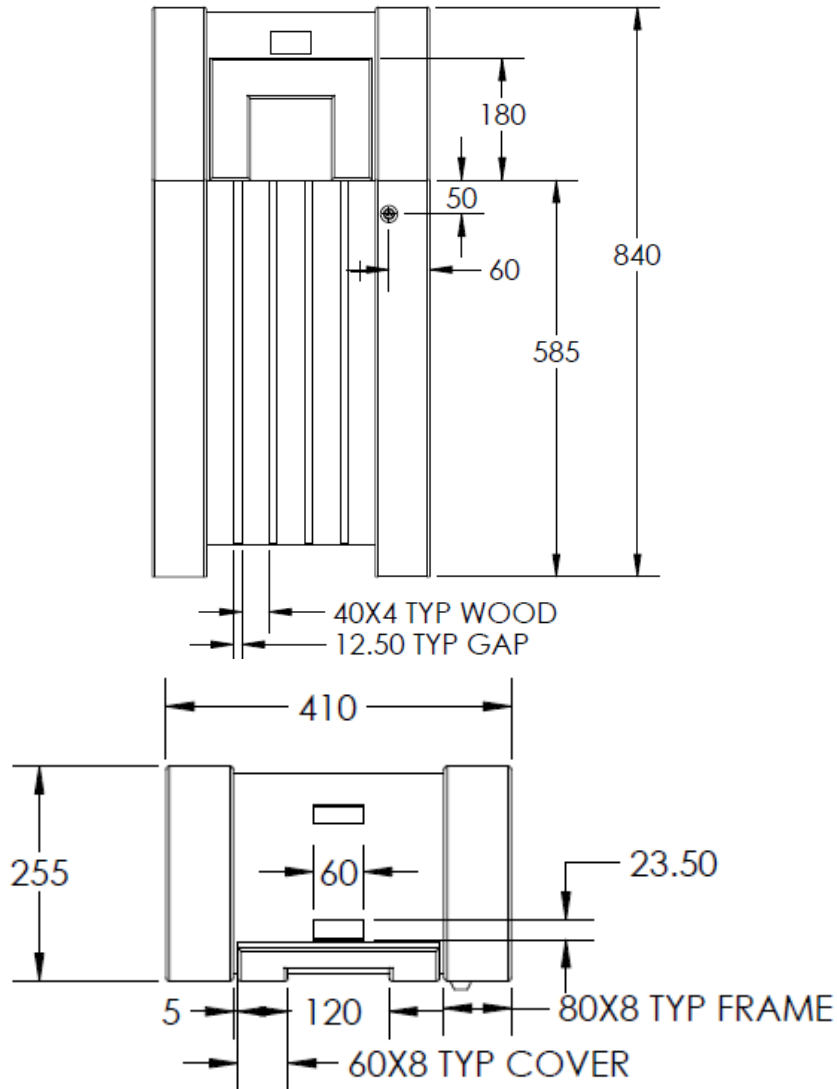
WIDTH: 10" (255mm)

HEIGHT: 33" (840mm)

MOUNTING: Surface Anchor Bolts

FINISH: Stainless Steel

TECHNICAL DRAWING REFERENCE



MATERIAL SPECIFICATIONS

Stainless steel, Recycled plastic wood planks, galvanized steel inside liner, Locking mechanism, #304 Stainless steel hardware.

RAL Standard Colours:

**Final product design may not be exactly as shown.

