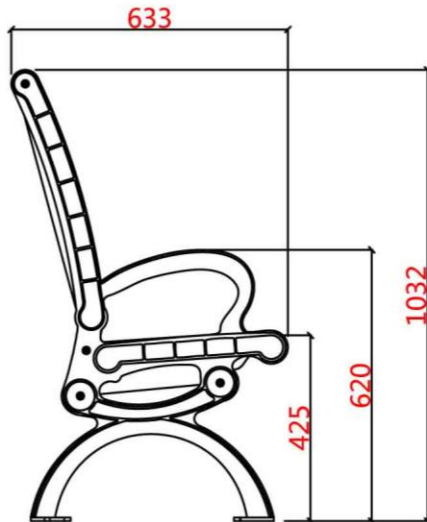
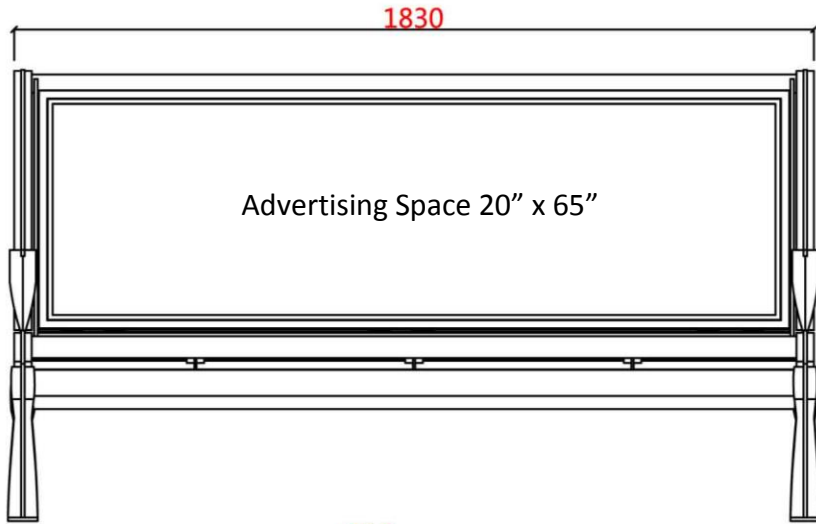


TECHNICAL DRAWING REFERENCE



MATERIAL SPECIFICATIONS

Carbon steel construction, Casting bench ends, Recycled plastic wood planks, Polyester powder coated, #304 Stainless steel hardware.

RAL Standard Colours: 

**Final product design may not be exactly as shown.

